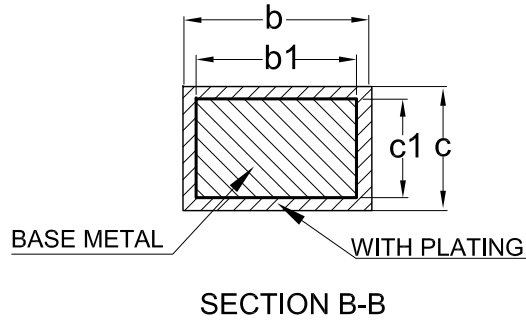
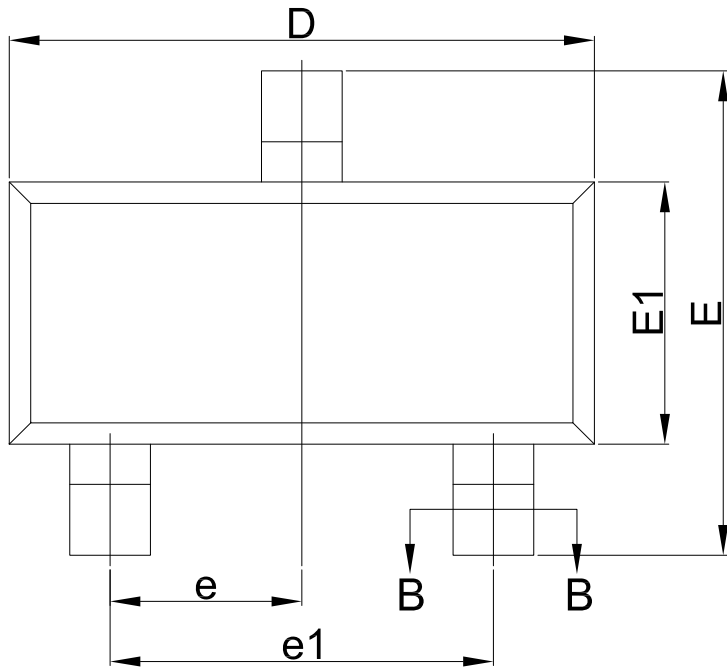


SYMBOL	MILLIMETER		
	MIN	NOM	MAX
A	0.89	—	1.12
A1	0.01	—	0.10
A2	0.88	0.95	1.02
A3	0.49	0.54	0.59
b	0.38	—	0.46
b1	0.37	0.40	0.43
c	0.11	—	0.15
c1	0.10	0.11	0.12
D	2.80	2.90	3.00
E	2.37	2.50	2.63
E1	1.20	1.30	1.40
e	0.95BSC		
e1	1.90BSC		
L	0.40	0.50	0.60
L1	0.60REF.		
theta	0	—	8°



正式文件  
不准复制  
下发日期  
20/12/31

				Tianshui Huatian Technology Co., LTD.	
				Title	
				SOT23 27Rows POD	
REV.	Description	Signature	Date		
Drafted By	CHEN Zhixiang	Verified By	LI Jianjun	DWG No.	REF No.
Confirmed By	CHEN Guolan	Verified By	WEI Cunjing	HTFN230201-27P	JEDEC TO-236
Verified By	HE Wenhai	Approved By	LI Xizhou	Unit mm	REV. A
				Effective Date	2020/12/25